

Installation Instructions

Free-Standing and Front Control Electric Ranges

BEFORE YOU BEGIN

Read these instructions completely and carefully.

- **IMPORTANT** — Save these instructions for local inspector's use.
- **IMPORTANT** — Observe all governing codes and ordinances.
- **Note to Installer** – Be sure to leave these instructions with Consumer.
- **Note to Consumer** – Keep these instructions for future reference.
- **Skill level** – Installation of this appliance requires basic mechanical skills and advanced electrical skills.
- Proper installation is the responsibility of the installer.
- Product failure due to improper installation is not covered under Warranty.

FOR YOUR SAFETY:

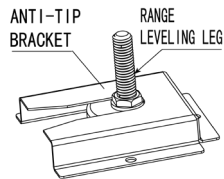


WARNING

Tip-Over Hazard

- A child or adult can tip the range and be killed.
- Install the anti-tip bracket to the wall or floor.
- Engage the range to the anti-tip bracket by sliding the range back such that the foot is engaged.
- Re-engage the anti-tip bracket if the range is moved.
- Failure to do so can result in death or serious burns to children or adults.

If you did not receive an anti-tip bracket with your purchase, call 626-348-4991 to receive one at no cost. For installation instructions of the bracket, please contact our customer service team at service@lanboappliances.com.



WARNING

Before beginning the installation, switch power off at service panel and lock the service disconnecting means to prevent power from being switched on accidentally.

MATERIALS YOU MAY NEED



Squeeze Connector
(For Conduit Installations Only)



(UL Listed 40 AMP)
4-Wire Cord 4' long OR
3-Wire Cord 4' long

TOOLS YOU MAY NEED

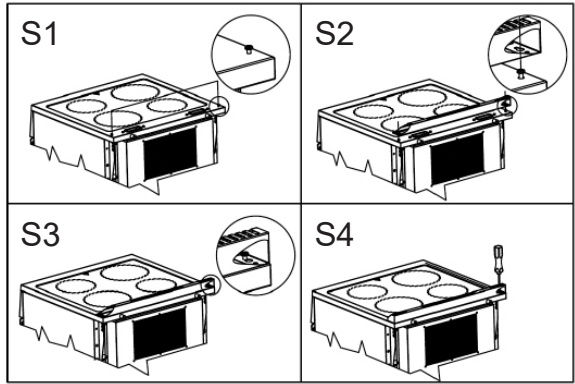
Drill with 1/8" Bit	Tape Measure
Safety Glasses	Pliers
Adjustable Wrench	1/4" Nut Driver
Level	Phillips screwdriver
Tin Snips	Flat-blade screwdriver
	Gloves

1

REMOVE PACKAGING MATERIALS: Failure to remove packaging materials could result in damage to the appliance. Remove all packing parts from oven, racks, heating elements and drawer. Also, remove protective film and labels on the outer door, cooktop and control panel.

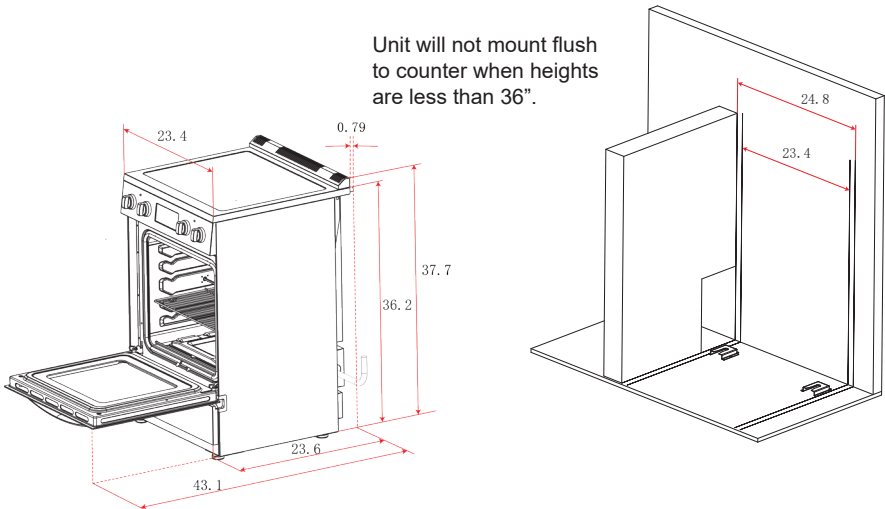
2 INSTALL THE BACKSPLASH

- Firstly, fix 2 screws (ST4*12) to the corresponding hole at the back of cover, leaving about 3mm gap (S1).
- Secondly, put the backsplash plate on the cover make the big holes through the heads of the screws (S2).
- Thirdly, push the backsplash plate making the small holes align the screws (S3).
- Finally, tighten the screws use driver (S4).



3 PREPARE THE OPENING

See illustrations for all rough-in and spacing dimensions. The range may be placed with 0" clearance (flush) at the back wall and side walls of the cabinet.



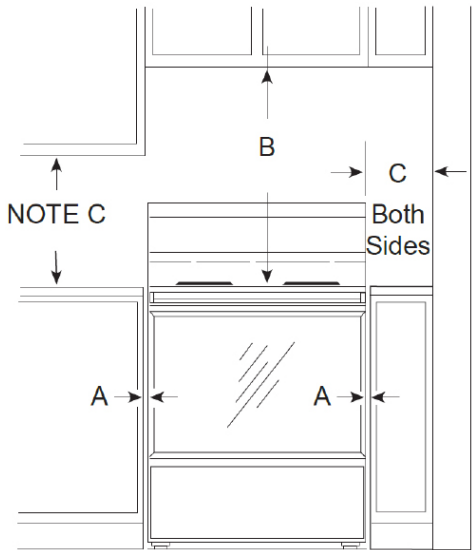
NOTE:

1. Leave suitable space for your electric range, 0.59" for left and right side and 0.79" for back.
2. Use a 4' power cord to prevent interference with the storage drawer. Power cords 4½' to 6' long may have to be dressed to allow for proper drawer closing.

3 PREPARE THE OPENING (CONT.)

MINIMUM DIMENSIONS BETWEEN COOKTOP, WALLS AND ABOVE THE COOKTOP:

- A. Make sure the wall covering, countertop, flooring and cabinets around the range can withstand the heat (up to 250°F) generated by the range.
- B. Allow 30" minimum clearance between surface units and bottom of unprotected wood or metal cabinet, or allow a 24" minimum when bottom of wood or metal cabinet is protected by no less than 1/4" thick flame retardant millboard covered with not less than No 28 MSG sheet metal, (.015"), .015" thick stainless steel, .024" aluminum or .020" copper.
- C. This appliance has been approved for 0" spacing to adjacent surfaces above the cooktop. However, a 6" minimum spacing to surfaces less than 15" above the cooktop and adjacent cabinet is recommended to reduce exposure to steam, grease splatter and heat.



To reduce the risk of burns or fire when reaching over hot surface elements, cabinet storage space above the cooktop should be avoided. If cabinet storage space is to be provided above the cooktop, the risk can be reduced by installing a range hood that projects at least 5" beyond the front of the cabinets. Cabinets installed above the cooktop must be no deeper than 16".

4 ELECTRICAL REQUIREMENTS

⚠ WARNING This appliance must be properly grounded.

⚠ WARNING All new constructions, mobile homes, recreational vehicles and installations where local codes do not allow grounding through neutral, require a 4-conductor UL-listed range cord.

⚠ WARNING To prevent fire or shock, do not use an extension cord with this appliance.

⚠ WARNING To prevent shock, remove house fuse or open circuit breaker before beginning installation.

We recommend you have the electrical wiring and hookup of your range connected by a qualified electrician. After installation, have the electrician show you how to disconnect power from the range.

You must use a single-phase, 120/240 VAC, 60 hertz electrical system. If you connect to aluminum wiring, properly installed connectors approved for use with aluminum wiring must be used.

4 ELECTRICAL REQUIREMENTS (CONT.)

Effective January 1, 1996, the National Electrical Code requires that new construction (not existing) utilize a 4-conductor connection to an electric range. When installing an electric range in new construction, mobile home, recreational vehicle, or an area where local codes prohibit grounding through the neutral conductor, refer to the section on four-conductor branch circuit connections.

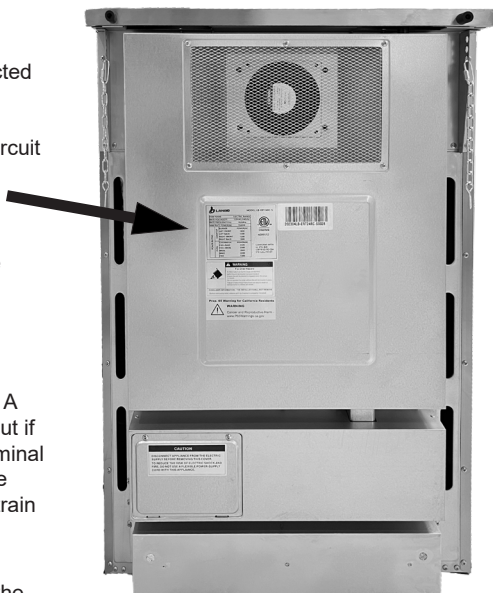
Check with your local utilities for electrical codes which apply in your area. Failure to wire your oven according to governing codes could result in a hazardous condition. If there are no local codes, your oven must be wired and fused to meet the National Electrical Code, NFPA No. 70 – latest edition, available from the National Fire Protection Association.

This appliance must be supplied with the proper voltage and frequency, and connected to an individual, properly grounded, 40 amp (minimum) branch circuit protected by a circuit breaker or time-delay fuse.

Use only a 3-conductor or a 4-conductor UL-listed range cord. These cords may be provided with ring terminals on wire and a strain relief device.

A range cord rated at 40 amps with 120/240VAC electrical system is required. A 50 amp range cord is not recommended but if used, it should be marked for use with nominal 1 3/8" diameter connection openings. Care should be taken to center the cable and strain relief within the knockout hole to keep the edge from damaging the cable.

The rating plate is located on the back of the oven.



5 CONNECTING ELECTRICITY

⚠ WARNING

Improper grounding can result in the risk of electric shock. If the power cord is damaged, have it replaced by an authorized LANBO Products service center.

- The appliance must be properly installed and grounded by a qualified technician in accordance with the National Electrical Code ANSI/NFPA No. 70 (Latest Edition) and local electrical code requirements. Installation should be made by a licensed electrician.
- Use only 3-conductor or 4-conductor UL listed range cord rated at 40 amps, 8AWG with 120/240VAC electrical system. These cords may be provided with strain relief or conduit connector.

5 CONNECTING ELECTRICITY (CONT.)

- The range must be connected to the proper electric voltage and frequency as specified on the rating label.
- The range can be connected directly to the fused disconnect (or circuit breaker box) through flexible, armored or non-metallic sheathed, copper cable (with grounding wire). Allow two to three feet of slack in the line so that it can be moved if servicing is necessary.
- **For personal safety, the range must be properly grounded.**
- Remove house fuse or open circuit breaker before beginning installation.
- Do not repair or replace any parts of the appliance by your own unless the repair is allowed and the parts are recommended by the manufacturer. All other maintenance should be made by a qualified technician.
- To minimize the possibility of electric shock, disconnect this appliance from the AC power supply before attempting any maintenance.

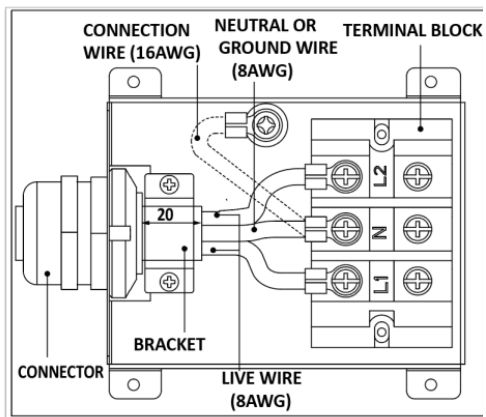
NOTE: Turning the appliance off does not disconnect the appliance from the power supply. We recommend having a qualified technician to service your appliance.

PROCEED TO STEP 6 OR 7.

6 3-WIRE INSTALLATION

Remove the Terminal Block Access Plate on the back of range by removing the 2 fixing screws.

- Detach the strain relief in the hole on bracket.
- Insert the power cord(L1, L2, neutral or ground wire) through the strain relief and tighten.
- Allow enough slack to easily attach the cord terminals to the terminal block.
- Remove the 3 wire terminal nuts and washers from the terminal block.
- Plug the terminal holes of power cord. The neutral or ground wire of the power cord must be connected to the neutral terminal (N) located in the center of terminal block. The live wires must be connected to L1 and L2.
- Use the connection wire(put along with the user manual) to connect with the Ground terminal(the upper green colored grounding screw) and the neutral terminal.
- Plug washers and tighten nuts securely.
- Assemble the Terminal Block Access Plate.

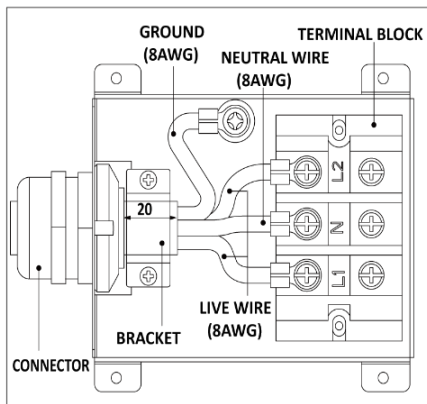


PROCEED TO STEP 8.

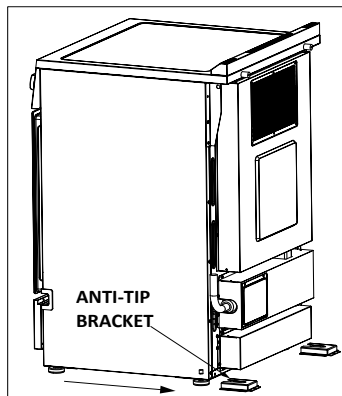
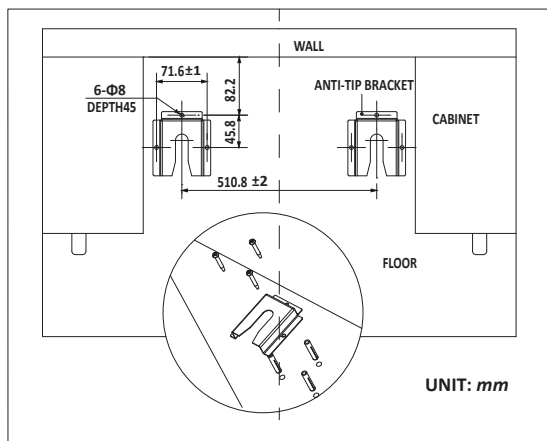
7 4-WIRE INSTALLATION

Remove the Terminal Block Access Plate on the back of range by removing the 2 fixing screws.

- A. Detach the strain relief in the hole on bracket.
- B. Insert the power cord through the strain relief and tighten.
- C. Allow enough slack to easily attach the cord terminals to the terminal block.
- D. Remove the 3 wire terminal nuts and washers from the terminal block.
- E. Plug the terminal holes of power cord. The neutral wire of the power cord must be connected to the neutral terminal (N) located in the center of terminal block. The ground wire of the power supply cord must be attached to the frame of range by using the green colored grounding screw. The live wires must be connected to L1 and L2.
- F. Plug washers and tighten nuts securely.
- G. Assemble the Terminal Block Access Plate.



8 ANTI-TIP DEVICE INSTALLATION



To prevent the range from tipping over due to improper use or overloading the open door, an anti-tip bracket (included in the package) must be installed properly by following instructions below. The anti-tip bracket can be fixed at either the left or right side of the appliance.

- Place the anti-tip bracket on the floor where the range is going to be installed.
- Locate and mark the drill position through the 6 holes in the bracket. And then place the bracket aside.
- Use 5/16" masonry drill to drill two holes in suitable depth.

8 ANTI-TIP DEVICE INSTALLATION (CONT.)

- Insert 6 plastic anchors into the 6 holes and place the bracket back.
- Fix the bracket on the floor by using screws supplied.
- Slide the appliance in position.

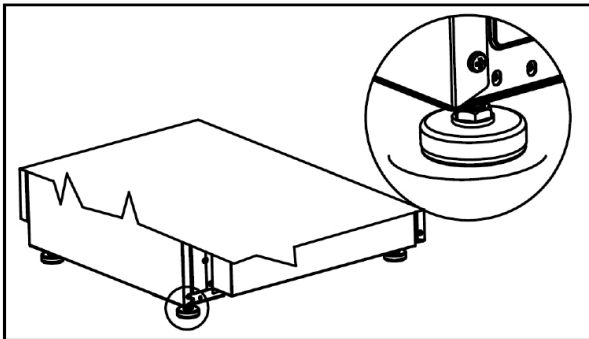
NOTE: If range is relocated, the bracket must be removed and installed in new location. Install the anti-tip bracket either right or left side.

To check if the bracket is installed and engaged properly, look underneath the range to see that the rear leveling leg is engaged in the bracket. On some models, the storage drawer or kick panel can be removed for easier inspection. If visual inspection is not possible, slide the range forward, confirm the anti-tip bracket is securely attached to the floor or wall and slide the range back so the leveling leg is under the anti-tip bracket. If the range is pulled from the wall for any reason, always repeat this procedure to verify the range is properly secured by the anti-tip bracket. Never completely remove the leveling legs or the range will not be secured to the anti-tip bracket.

9 LEVEL THE RANGE

⚠ WARNING Never completely remove the leveling leg as the range will not be secured to the anti-tip device properly.

The electric range must be installed levelly for proper operation. There are four screw-type leveling legs at the bottom of the range for you to adjust the level of the range, rotating clockwise to rise and counterclockwise to lower the height. Use a leveling instrument to check the level of the range.



10 FINAL INSTALLATION CHECKLIST

- Check to make sure the circuit breaker is closed (RESET) or the circuit fuses are replaced.
- Be sure power is in service to the building.
- Check that all packing materials and tape have been removed. This will include tape on metal panel under control knobs (if applicable), adhesive tape, wire ties, cardboard and protective plastic. Failure to remove these materials could result in damage to the appliance once the appliance has been turned on and surfaces have heated.
- Check that the door and drawer are parallel to each other and that both operate smoothly. If they do not, see the Owner's Manual for proper replacement.
- Check to make sure that the rear leveling leg is fully inserted into the Anti-Tip bracket and that the bracket is securely installed.
- If applicable - install handles following handle installation instructions and check that both ends are secured.

MODELS WITH DOUBLE OVEN

- Using a ferrous pan that meets the minimum pan size for the induction element (refer to your Owner's Manual), turn on the power to the cooktop. Verify that all surface elements operate properly. Elements that are not induction do not require the pan for verification.
- Check that the oven control operates properly. If the oven control does not operate properly, recheck the wiring connections.
- Be sure all range controls are in the OFF position before leaving the range.